

BELLA FIGURA

Diamond Solitaire Lamp Large

TL713-LA

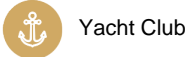
Collection Name
BEVERLY HILLS COLLECTION

A stunning new table lamp, which is from the same Italian artisan makers of our weighty Diamond lamps. Flawless, pristine polished Murano glass, mould made so perfect every time, they are formed from layer upon layer of glass in our core Beverly Hills collection colours. It's circular shape is reminiscent of a cut glass lollipop. Available in two sizes, these lamp bases are slim so perfect for bedside tables ensuring lots of useable space remains.

Test Certification

IEC (International Electrotechnical Commission) test certificates available - will incur a surcharge
UL (Underwriters Laboratories) test certificates available for the USA - will incur a surcharge
Suitable for Yachts - Rod and bolting available for use on yachts

Compatible with



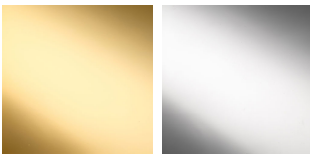
Yacht Club



TL713-LA in Tobacco & Clear and Polished Gold with a 15" Oval 5018W/126

Available Finishes

Metal Finishes



Polished Gold Polished Nickel

Murano Glass Colours



Solitaire Amethyst & Clear Solitaire Petrol Blue & Clear Solitaire Tobacco & Clear

Solitaire Clear Solitaire Forest Green & Clear

Silk Flex Choice, Switch & Plug Colours



Black Cream Silver

Brown

Available Sizes

Size One

TL713-SM,

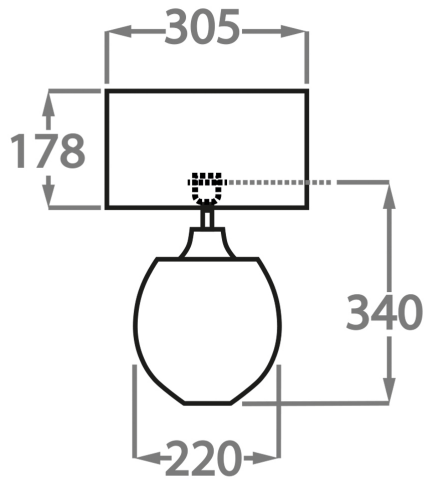
Height: 34 cm (13.39")

Width: 22 cm (8.66")

Depth: 10 cm (3.94")

Bulbs: 1 x 40w E27

Net Weight: 8 kg / 18 lb



Size Two

TL713-LA,

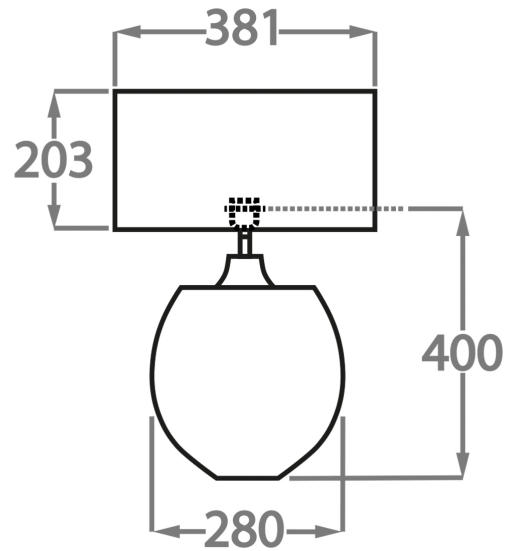
Height: 40 cm (15.75")

Width: 28 cm (11.02")

Depth: 10 cm (3.94")

Bulbs: 1 x 40W E27

Net Weight: 10 kg / 22 lb



Dimensions are measured from the base of the lamp to the middle of the bulb holder and are excluding shade.

Shades are also available in Customer Own Material (COM)

Please note, due to our Diamond table lamps being individually hand made and each one being unique, there may be slight variations in colour