

# BELLA FIGURA

## Diamond Teardrop Lamp Small

TL711-SM

Collection Name

**BEVERLY HILLS COLLECTION**

Introducing the new Diamond Teardrop range; unrivalled Italian glass work from our trusted makers in Murano; the design of these lamps carry the finesse, craftsmanship and weight you expect from our faceted Diamond range but with sweeping curves and softer facets. Available in our core standout colour ways from the Beverley Hills collection and various silhouettes and sizes to suit

### Test Certification

IEC (International Electrotechnical Commission) test certificates available - will incur a surcharge  
UL (Underwriters Laboratories) test certificates available for the USA - will incur a surcharge  
Suitable for Yachts - Rod and bolting available for use on yachts

### Compatible with



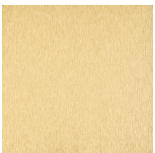
Yacht Club



TL711-SM in 8" Tall Drum Shade in James Hare Pleated Ivory

### Available Finishes

#### Metal Finishes



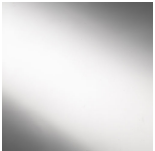
Brushed Gold



Brushed Nickel

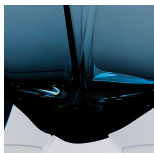


Polished Gold



Polished Nickel

#### Murano Glass Colours



Petrol Blue & Clear



Tobacco & Clear



Diamond Clear



Amethyst & Clear

#### Product Note

Please note this lamp is French Wired (Top Wired)

**Silk Flex Choice, Switch & Plug Colours**



Black



Brown



Cream



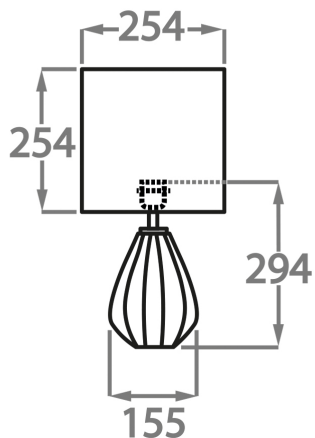
Silver

## Available Sizes

---

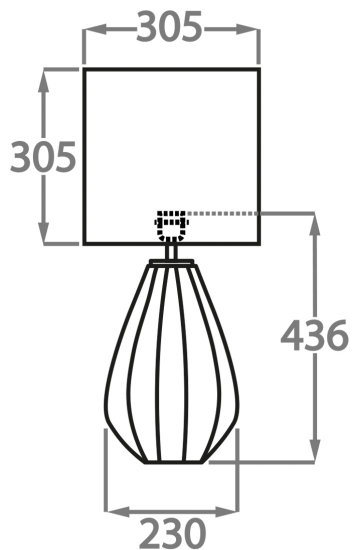
### Size One

TL711-SM,  
Height: 29.4 cm (11.57")  
Diameter: 15 cm (5.91")  
Bulbs: 1 x 40W E27



### Size Two

TL711-LA,  
Height: 43.6 cm (17.17")  
Width: 23 cm (9.06")  
Bulbs: 1 x 40W E27



Dimensions are measured from the base of the lamp to the middle of the bulb holder and are excluding shade  
Overall height with a 8" tall drum shade 44cm - 17"  
Shades are also available in Customer Own Material (COM)

\*Please note, due to our Diamond table lamps being individually hand made and each one being unique, there may be slight variations in colour\*

All our Diamond lamps are top wired (French Wired)