

BELLA FIGURA

Ruffle Chandelier

CL207-LA

Collection Name

MOONLIGHT COLLECTION

Encircled by flirtatious ruffles, the larger of this design family exudes a sultry air and playful elegance. The gentle charm of the curvy glass plates was informed by ladies' fashions of the Twenties where draped fabrics and fluttery hemlines became popular. They were feminine and romantic, a style which blends in perfect harmony with our frosted glass to create a delicate, ethereal glow like moonlight.

Compatible with



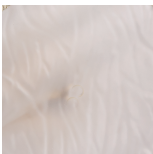
Bathroom



CL207-LA in Satin Glass and Polished Gold

Available Finishes

Glass colours



Ruffle Satin

Metal Finishes



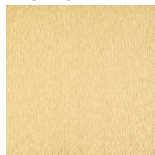
Brushed Dark
Bronze



Brushed Nickel



Polished
Nickel



Brushed Gold

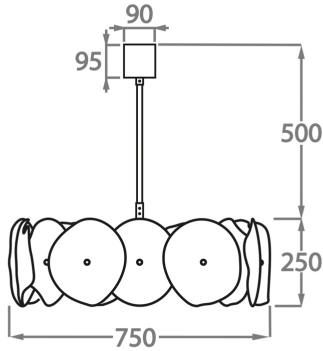


Polished Gold

Available Sizes

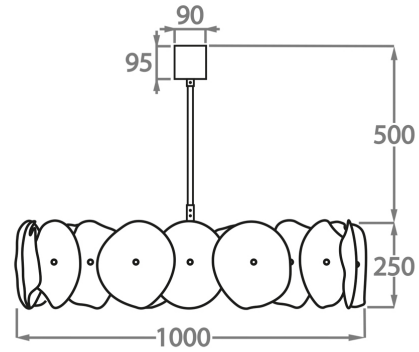
Size One

CL207-LA-75,
Height: 25 cm (9.84")
Diameter: 75 cm (29.53")
Bulbs: 7 x 2.5W LED G9



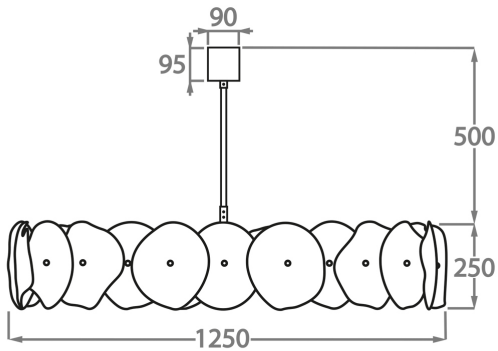
Size Two

CL207-LA-100,
Height: 25 cm (9.84")
Diameter: 100 cm (39.37")
Bulbs: 10 x 2.5W LED G9
Net Weight: 22 kg / 49 lb



Size Three

CL207-LA-125,
Height: 25 cm (9.84")
Diameter: 125 cm (49.21")
Bulbs: 12 x 2.5W LED G9



The dimensions of the central supporting rod and ceiling rose are not included in the height measurements.
The standard rod and ceiling rose is 50cm (20") high if not otherwise specified by the customer.