

BELLA FIGURA

Pimlico Chandelier

CL108

Collection Name

MAYFAIR COLLECTION

The latest addition to join our Mayfair collection, the Pimlico chandelier is inspired by brutalist designs from the 1970s. This stylish design is a more structured take on our very popular Battersea chandelier. It is constructed from a straight cut series of either clear or frosted Lucite rods with brass tubes which can be finished in either a stippled gold or stippled bronze finish to offer a more distressed look to the design. This chandelier is finished with a frosted diffuser and a central base

Test Certification

UL (Underwriters Laboratories) test certificates

available for the USA - will incur a surcharge

Suitable for Yachts - Rod and bolting available for use on yachts

IEC (International Electrotechnical Commission) test certificates available - will incur a surcharge



CL108-100 in Clear Lucite Rods and Stippled Bronze

Compatible with



Bathroom



Yacht Club

Available Finishes

Lucite Colours



Clear Lucite
Rods

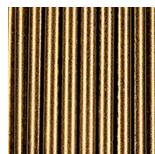


Frosted Lucite
Rods

Metal Finishes



Stippled Bronze

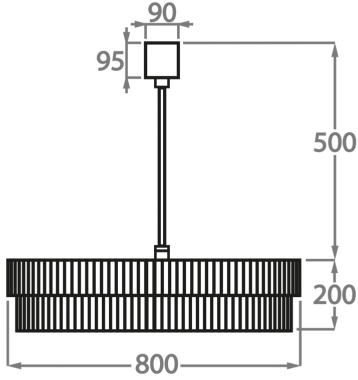


Stippled Gold

Available Sizes

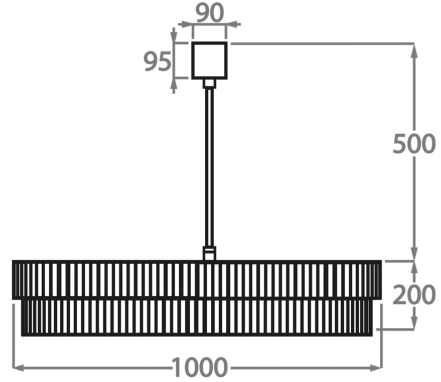
Size One

CL108-80,
Height: 20 cm (7.87")
Diameter: 80 cm (31.5")
Bulbs: 8 x 40W E27
Net Weight: 26 kg / 57 lb



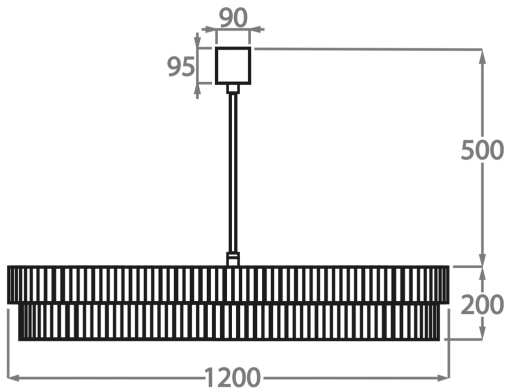
Size Two

CL108-100,
Height: 20 cm (7.87")
Diameter: 100 cm (39.37")
Bulbs: 8 x 40W E27
Net Weight: 31 kg / 68 lb



Size Three

CL108-120,
Height: 20 cm (7.87")
Diameter: 120 cm (47.24")
Bulbs: 8 x 40W E27
Net Weight: 40 kg / 86 lb



The dimensions of the central supporting rod and ceiling rose are not included in the height measurements.
The standard rod and ceiling rose is 50cm (20") high if not otherwise specified by the customer.