

BELLA FIGURA

Perle Chandelier

CL61

Collection Name

HALCYON COLLECTION

A cache of sixty-two pearlescent plates form this glowing crown of ultimate beauty and grandeur, each with a gold or silver bead nestled into its centre and a frosted glass diffuser to ensure elegance from every angle. The alabaster glass featured in this sophisticated chandelier is evocative of the natural nacre of the pearl oyster's deep-sea treasure trove and emits an empyreal radiance when lit

Test Certification

IEC (International Electrotechnical Commission) test certificates available - will incur a surcharge
UL (Underwriters Laboratories) test certificates available for the USA - will incur a surcharge

Compatible with



Bathroom



Yacht Club



CL61-SM in Alabaster Glass and Brushed Gold

Available Finishes

Metal Finishes



Brushed Gold



Brushed Nickel



Brushed Dark
Bronze

Murano Glass Colours



Alabaster

Available Sizes

Size One

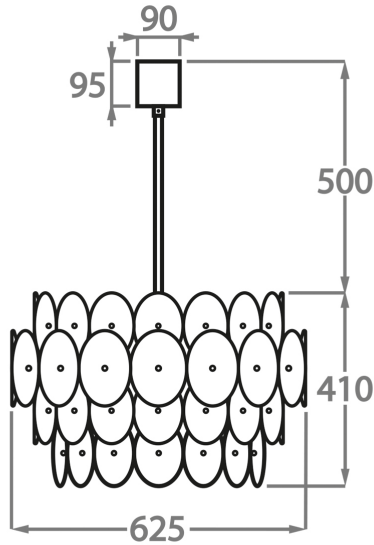
CL61-SM,

Height: 41 cm (16.14")

Diameter: 62.5 cm (24.61")

Bulbs: 9 x LED 5W G9 LED

Net Weight: 25 kg / 55 lb



Size Two

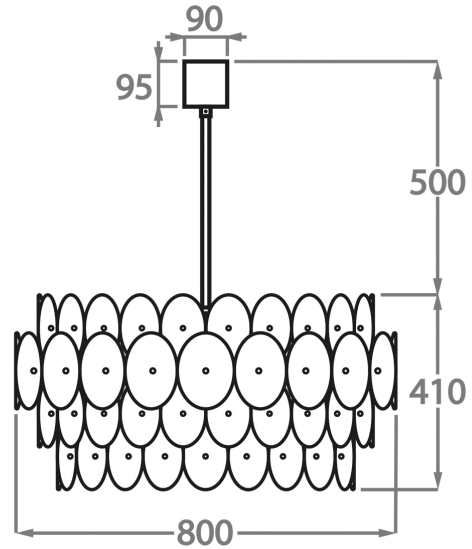
CL61-LA,

Height: 41 cm (16.14")

Diameter: 80 cm (31.5")

Bulbs: 14 x LED 5W G9 LED

Net Weight: 40 kg / 88 lb



The dimensions of the central supporting rod and ceiling rose are not included in the height measurements
The standard rod and ceiling rose is 50cm (20") high if not otherwise specified by the customer