

BELLA FIGURA

Perle Chandelier Two Tier

CL61-2T

Collection Name

HALCYON COLLECTION

A cache of pearlescent plates over two tiers form this glowing crown of ultimate beauty and grandeur, each with a gold or silver bead nestled into its centre and a frosted glass diffuser to ensure elegance from every angle. The alabaster glass featured in this sophisticated chandelier is evocative of the natural nacre of the pearl oyster's deep-sea treasure trove and emits an ethereal radiance when lit - here we introduce a stylish two tiered version to the elegant Perle family

Test Certification

UL (Underwriters Laboratories) test certificates available for the USA - will incur a surcharge
IEC (International Electrotechnical Commission) test certificates available - will incur a surcharge

Compatible with



Bathroom



Yacht Club



CL61-2T in Alabaster Murano Glass and Brushed Brass

Available Finishes

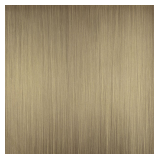
Metal Finishes



Brushed Gold



Brushed Nickel



Brushed Dark
Bronze

Murano Glass Colours

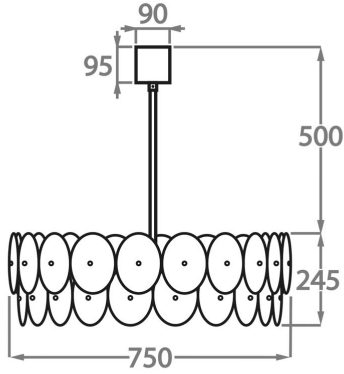


Alabaster

Available Sizes

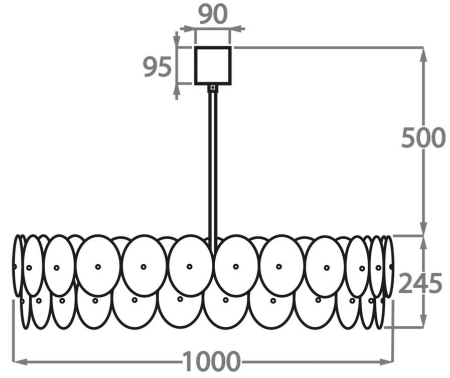
Size One

CL61-2T-75,
Height: 24.5 cm (9.65")
Diameter: 75 cm (29.53")
Number of Glass: 40
Bulbs: 8 x 5W G9 LED
Net Weight: 26 kg / 58 lb



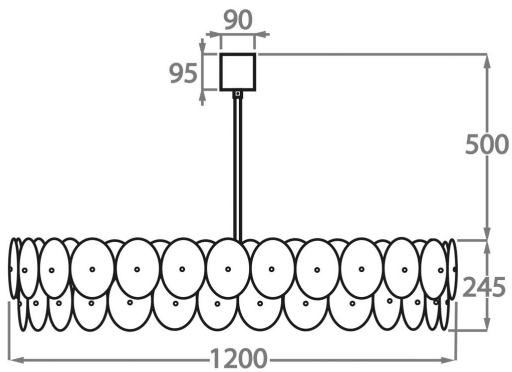
Size Two

CL61-2T-100,
Height: 24.5 cm (9.65")
Diameter: 100 cm (39.37")
Number of Glass: 54
Bulbs: 8 x 5W G9 LED
Net Weight: 32 kg / 70.5 lb



Size Three

CL61-2T-120 ,
Height: 24.5 cm (9.65")
Diameter: 120 cm (47.24")
Number of Glass: 65
Bulbs: 12 x 5W G9 LED
Net Weight: 36 kg / 80 lb



The dimensions of the central supporting rod and ceiling rose are not included in the height measurements.
The standard rod and ceiling rose is 50cm (20") high if not otherwise specified by the customer.