

BELLA FIGURA

Milne Chandelier

CL50-8+4

Collection Name

CANTERBURY COLLECTION

An impressive two-tier Milne chandelier, simple but distinguished, that would look at home in any country property. The shades are included and can be specified in any of our 300+ silks and satins. The frame is available in a smooth or hammered texture and in four different finishes, whilst the central rod can be ordered in any size. This timeless chandelier can also be ordered in bespoke sizes

Test Certification

UL (Underwriters Laboratories) test certificates available for the USA - will incur a surcharge
IEC (International Electrotechnical Commission) test certificates available - will incur a surcharge

Compatible with



Yacht Club



CL50-8+4 in Hammered Decorated Bronze with 12 X 4 Inch Tall Drum Shades in 3998/ 41 Beige

Available Finishes

Metal Finishes



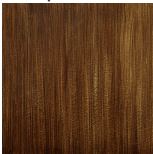
Antique Gold



Antique Silver



Lead



Decorated Bronze

Metal Texture

Hammered Smooth

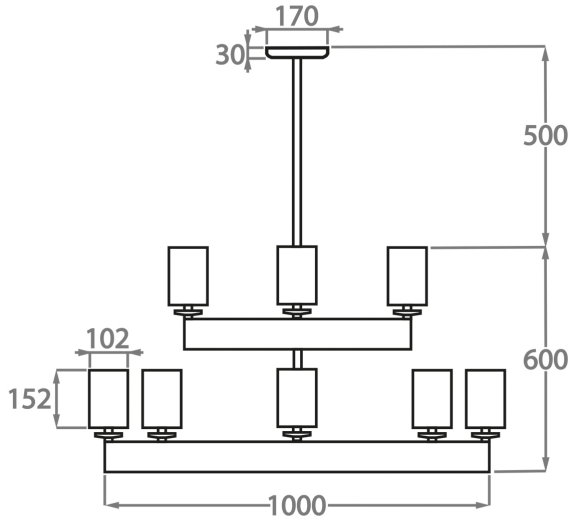
Recommended Shades

4 inch Tall Drum

Available Sizes

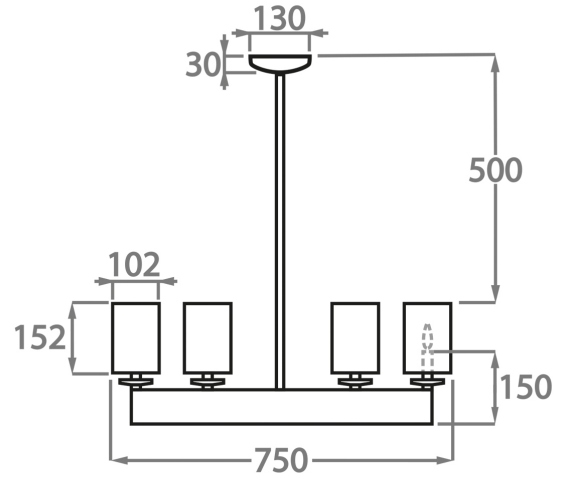
Size One

CL50-8+4,
Height: 75 cm (29.53")
Diameter: 110 cm (43.31")
Bulbs: 12 x 25W E14
Net Weight: 16 kg / 35 lb



Size Two

CL50-6,
Height: 75 cm (29.53")
Width: 75 cm (29.53")
Bulbs: 6 x 25W E14
Net Weight: 13 kg / 29 lb



The central rod can be ordered as standard in any overall height between 75cm (29.5") and 110cm (43.3"). If a greater overall height is required, please contact us.