

BELLA FIGURA

Lavalier Pendant Cluster

CL378-5

Collection Name

HALCYON COLLECTION

A little-known gesture of romantic engagement is the giving of a single jewelled pendant, a lavalier. Our inspiration for this piece evolved from the fabled Heart of the Ocean necklace, an enduring symbol of love, luxury and devotion. These delicate lead crystal pendants features a hand-cut unbroken line which echoes the reflections on flowing water.

Compatible with



Bathroom



CL378-5 Lavalier Pendant Cluster in Clear Lead Crystal and Polished Brass

Available Finishes

Crystal Finish

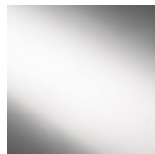


Clear Lead Crystal

Metal Finishes



Polished Brass

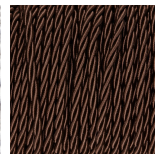


Polished Nickel

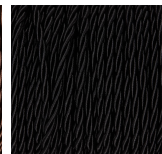
Silk Flex Choice, Switch & Plug Colours



Silver



Brown



Black



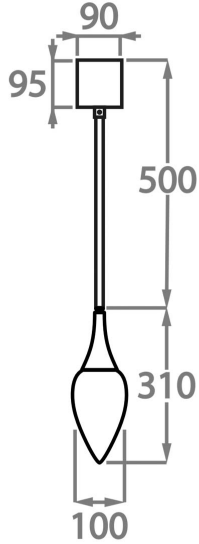
Cream

Available Sizes

Single

CL378,

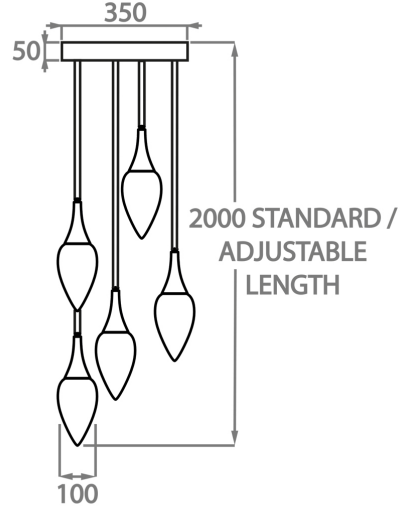
Height: 31 cm (12.2")
Diameter: 11 cm (4.33")
Bulbs: 1 x 5W G9 LED
Net Weight: 2 kg / 5 lb



5 Light

CL378-5,

Height: 31 cm (12.2")
Diameter: 30 cm (11.81")
Bulbs: 5 x 5W G9 LED
Net Weight: 14 kg / 31 lb



Please note: The above measurements are just of the ceiling plate, not the whole cluster as this is a custom product the heights of each pendant can be placed at the desired heights on site.

This is a custom size cluster pendant, we can make this in any desired size with as many pendants on the plate as required. The ceiling plate can also be made in any shape and size depending on the amount of pendants featured.

The flex length is available in 200cm (78.7") in length. Please specify if you wish for longer flex, each pendant length can be altered on site when the light is installed.