

BELLA FIGURA

Erté Ceiling Light

CL210

Collection Name

MOONLIGHT COLLECTION

Our whirling Erté ceiling light is proof that inspiration can evolve from anywhere. Artist Erté is perhaps best known for his instantly recognisable graphic works which encapsulate the fashions of the Arts Décoratifs period in which he worked. The dancing limbs of this generous pendant light echo the flirtatious femininity of his designs and the synchronised movement of line within his work. Select glass in Clear for a glamorous glittering look or Frosted for an alluring glow to your interior setting.



CL210 in Satin Glass and Brushed Light Bronze

Available Finishes

Glass colours



Clear

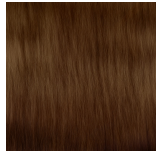


Erte Satin

Metal Finishes



Brushed Gold



Brushed Light
Bronze



Brushed Nickel

Available Sizes

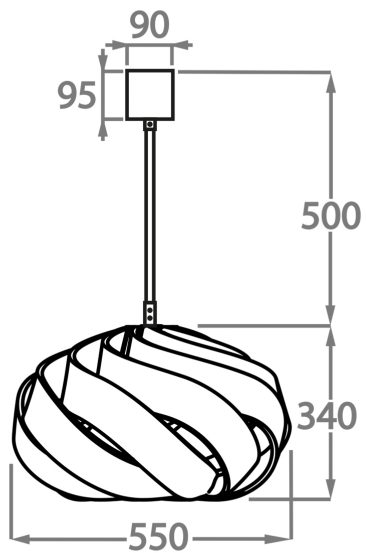
One Size Only

CL210,

Height: 34 cm (13.39")

Diameter: 55 cm (21.65")

Bulbs: 1 x 40W E27



The dimensions of the central rod/chain and ceiling rose are not included in the height measurements.
Standard rod/chain and ceiling rose is 50cm if not otherwise specified by customer.