

BELLA FIGURA

Loop Chandelier

CL444

Collection Name

RETRO MURANO COLLECTION

A stylish chandelier made out of long curved tubes of triangular Murano glass, which are wrapped around the frame in three intertwined loops. A classic design from the 1950s, which is both stylish and timeless.

Test Certification

IEC (International Electrotechnical Commission) test certificates available - will incur a surcharge
UL (Underwriters Laboratories) test certificates available for the USA - will incur a surcharge

Compatible with



Bathroom



CL444-60 in Clear Murano Glass and Chrome

Available Finishes

Metal Finishes



Chrome



Polished Gold



Brushed Dark
Bronze

Murano Glass Colours

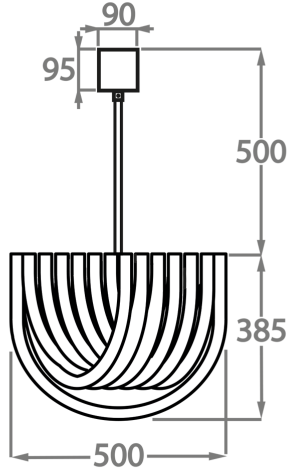


Clear Loop Murano Glass

Available Sizes

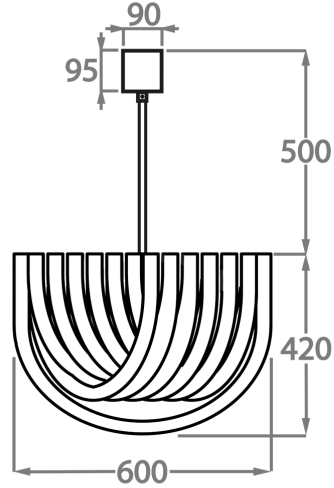
Size One

CL444-50,
Height: 38.5 cm (15.16")
Diameter: 50 cm (19.69")
Bulbs: 3 x 40w E27
Net Weight: 30 kg / 66 lb



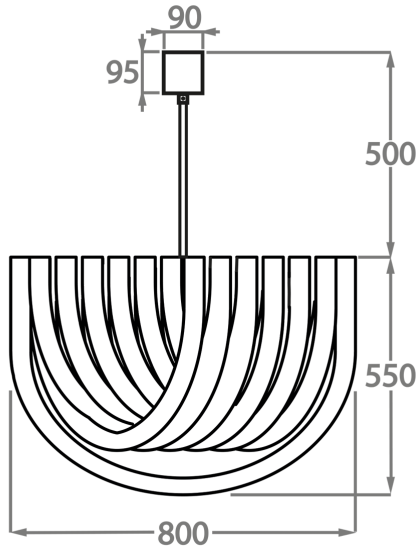
Size Two

CL444-60,
Height: 42 cm (16.54")
Diameter: 60 cm (23.62")
Bulbs: 6 x 40w E27
Net Weight: 46 kg / 101 lb



Size Three

CL444-80,
Height: 55 cm (21.65")
Diameter: 80 cm (31.5")
Bulbs: 8 x 40w E27
Net Weight: 60 kg / 132 lb



The dimensions of the central rod and ceiling rose are not included in the height measurements. Please add a minimum of 15cm (6") to take this into account. The standard rod and ceiling rose is 50cm (20"), but this can be specified in the exact size required by the customer at the time of order.

Please note this chandelier cannot be made in custom sizes.