

# BELLA FIGURA

## Large Double Drum Chandelier

CL443-LA

Collection Name

**RETRO MURANO COLLECTION**

Ideal for rooms with slightly lower ceiling height, this contemporary chandelier subtly modernises any setting and is a unique design within the Retro Murano collection. Create in our Italian family-owned workshops, the breath-taking piece is now available in satin glass finish, giving an almost frosted look. This chandelier refreshes the room while maintaining the elegant style that is visible throughout this collection

### Test Certification

IEC (International Electrotechnical Commission) test certificates available - will incur a surcharge  
UL (Underwriters Laboratories) test certificates available for the USA - will incur a surcharge

### Compatible with



Bathroom



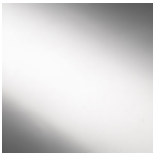
Yacht Club



CL443-LA-60 in Clear Crackled Glass and Brushed Dark Bronze

### Available Finishes

#### Metal Finishes



Chrome

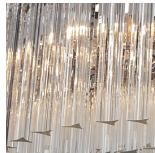


Brushed Dark Bronze

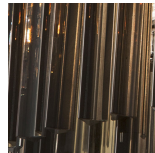


Polished Gold

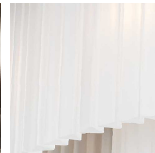
#### Murano Glass Colours



Clear Murano



Smoke Murano



Satin Murano



Clear Crackled

**Available Sizes**

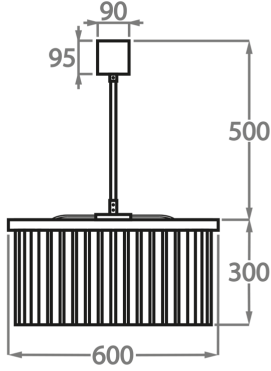
**Size One**

CL443-LA-60,

Height: 30 cm (11.81")

Diameter: 60 cm (23.62")

Bulbs: 8 x 25W or 4W G9 or G9 LED Net Weight: 24 kg / 53 lb



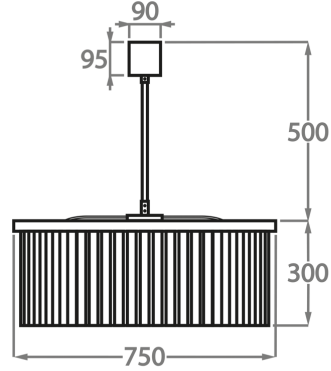
**Size Two**

CL443-LA-75,

Height: 30 cm (11.81")

Diameter: 75 cm (29.53")

Bulbs: 9 x 25W or 4W G9 or G9 LED Net Weight: 40 kg / 88 lb



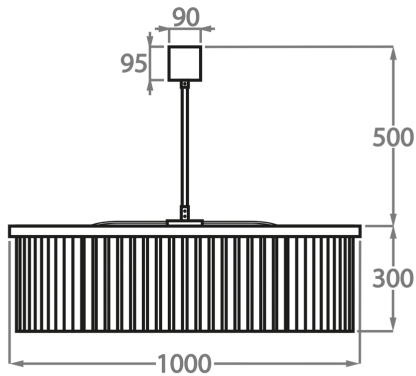
**Size Three**

CL443-LA-100,

Height: 30 cm (11.81")

Diameter: 100 cm (39.37")

Bulbs: 12 x 25W or 4W G9 or G9 LED Net Weight: 47 kg / 104 lb



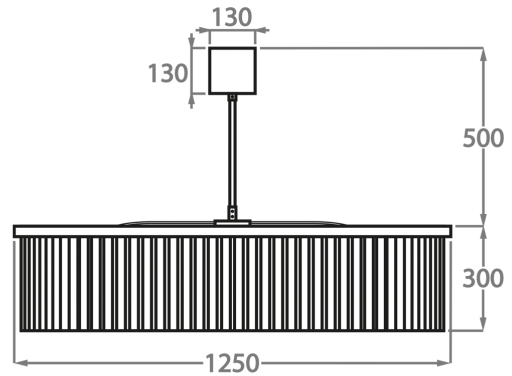
**Size Four**

CL443-LA-125,

Height: 30 cm (11.81")

Diameter: 125 cm (49.21")

Bulbs: 18 x 25W or 4W G9 or G9 LED Net Weight: 70 kg / 154 lb



The dimensions of the central rod and ceiling rose are not included in the height measurements. Please add a minimum of 15cm (6") to the height to take this into account. The standard rod and ceiling rose height is 50cm (20") if not otherwise specified by customer.