

# BELLA FIGURA

## Dover Street Chandelier

**CL170**

Collection Name

**MAYFAIR COLLECTION**

Supported on an elegant cross brace, this contemporary Dover Street chandelier of distressed Lucite tiles challenges our ideas of traditional chandelier design, and emits a soft light into every corner of the room due to the bottom diffuser. This piece modernises a room and creates a tranquil atmosphere throughout any space

### Test Certification

UL (Underwriters Laboratories) test certificates available for the USA - will incur a surcharge  
IEC (International Electrotechnical Commission) test certificates available - will incur a surcharge

### Compatible with



Bathroom



Yacht Club



CL170-100 in Clear Hand-carved Lucite and Bronze

### Available Finishes

#### Lucite Colours



Smoke Hand-Carved Lucite



Clear Hand-Carved Lucite

#### Metal Finishes



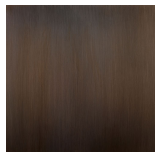
Polished Gold



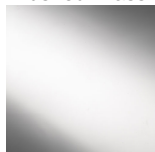
Antique  
Brushed Brass



Brushed Gold



Bronze



Polished  
Nickel

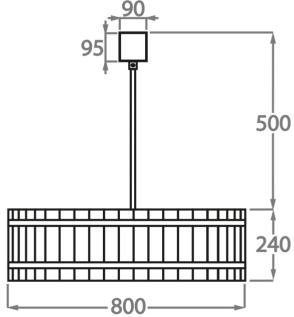


Brushed Nickel

**Available Sizes**

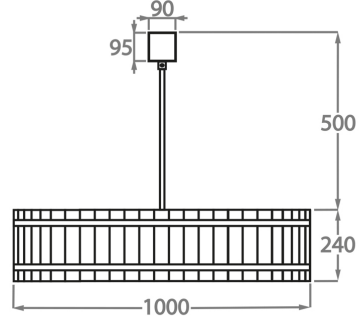
**Size One**

CL170-80,  
Height: 24 cm (9.45")  
Diameter: 80 cm (31.5")  
Bulbs: 6 x 40w E27  
Net Weight: 23 kg / 51 lb



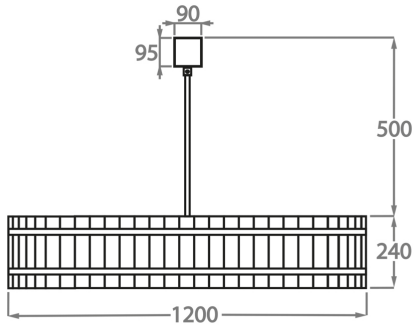
**Size Two**

CL170-100,  
Height: 24 cm (9.45")  
Diameter: 100 cm (39.37")  
Bulbs: 8 x 40W E27  
Net Weight: 28 kg / 62 lb



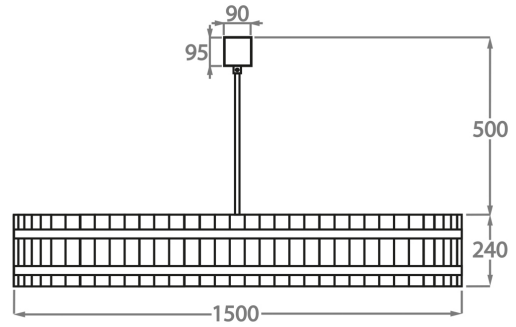
**Size Three**

CL170-120,  
Height: 24 cm (9.45")  
Diameter: 120 cm (47.24")  
Bulbs: 12 x 40w E27  
Net Weight: 36 kg / 80 lb



**Size Four**

CL170-150,  
Height: 24 cm (9.45")  
Diameter: 150 cm (59.06")  
Bulbs: 12 x 40w E27  
Net Weight: 50 kg / 110 lb



The dimensions of the central supporting rod and ceiling rose are not included in the height measurements.  
The standard rod and ceiling rose is 50cm (20") high if not otherwise specified by the customer.