

# BELLA FIGURA

## Savile Row Two-Tier Chandelier

CL125-2T

Collection Name  
**MAYFAIR COLLECTION**

A new, sleeker version of our popular Savile Row chandelier with two-tiers of hand-carved Lucite tiles and a bottom diffuser, which is supported on elegant cross braces

### Test Certification

UL (Underwriters Laboratories) test certificates available for the USA - will incur a surcharge  
IEC (International Electrotechnical Commission) test certificates available - will incur a surcharge

### Compatible with



Bathroom



CL125-2T-100 in Hand-carved Lucite and Brushed Dark Bronze

### Available Finishes

#### Lucite Colours



Clear Hand-Carved Lucite

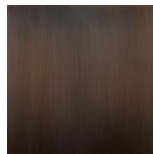
#### Metal Finishes



Polished Gold



Antique  
Brushed Brass



Bronze



Brushed Gold



Brushed Nickel

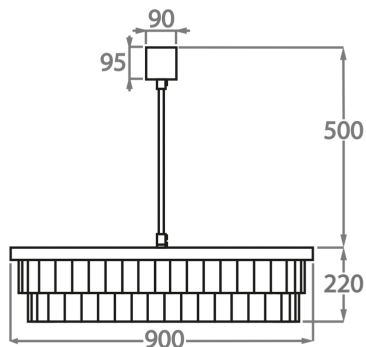


Polished  
Nickel

## Available Sizes

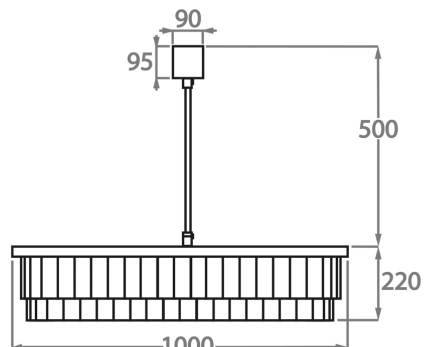
### Size One

CL125-2T-90,  
Height: 22 cm (8.66")  
Diameter: 90 cm (35.43")  
Bulbs: 8 × 40W E27  
Net Weight: 20 kg / 44 lb



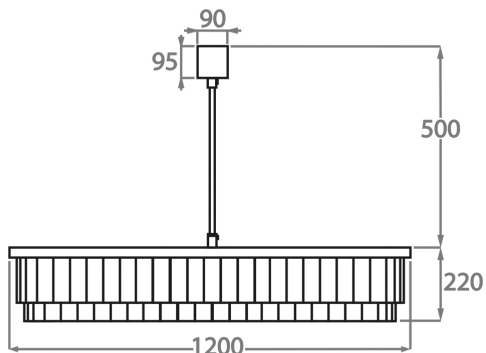
### Size Two

CL125-2T-100,  
Height: 22 cm (8.66")  
Diameter: 100 cm (39.37")  
Bulbs: 8 × 40W E27  
Net Weight: 22 kg / 49 lb



### Size Three

CL125-2T-120,  
Height: 22 cm (8.66")  
Diameter: 120 cm (47.24")  
Bulbs: 10 × 40W E27  
Net Weight: 30 kg / 66 lb



The dimensions of the central supporting rod and ceiling rose are not included in the height measurements.  
The standard rod and ceiling rose is 50cm (20") high if not otherwise specified by the customer.

Please Note: Our Chandeliers are not supplied with ceiling hooks. All of our chandeliers will mount an adequate ceiling rose, and chain/rod which will depend on the weight of the fixing. A qualified electrician must assess your ceiling structure and advise on the right fitting.