

BELLA FIGURA

Curzon Street Drum Chandelier

CL121-LED

Collection Name

MAYFAIR COLLECTION

Ideal for rooms with lower ceilings, this drum chandelier combines the uniform Lucite structure of the Curzon Street chandelier with the cross brace from the Bond Street design to achieve an elegant, contemporary form perfect for any setting. Available in our core metal finishes, this new chandelier makes a beautiful addition to the Mayfair collection.

Finish note: Due to the nature of our hand made product our finishes can vary from piece to piece. Please be aware studio lighting can affect tone of metals and alter material appearance slightly. For more details, speak to your sales advisor who may be able to organise sampling upon request.

Test Certification

UL (Underwriters Laboratories) test certificates available for the USA - will incur a surcharge
IEC (International Electrotechnical Commission) test certificates available - will incur a surcharge

Compatible with



Bathroom



Yacht Club



CL121-LED in Clear Lucite and Antique Brushed Brass

Available Finishes

Lucite Colours



Clear Lucite Rods



Frosted Lucite Rods

Metal Finishes



Polished Nickel



Polished Gold



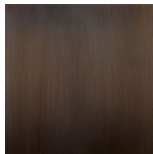
Brushed Gold



Brushed Nickel



Antique
Brushed Brass

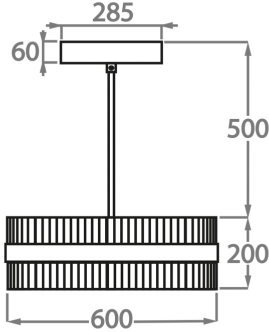


Bronze

Available Sizes

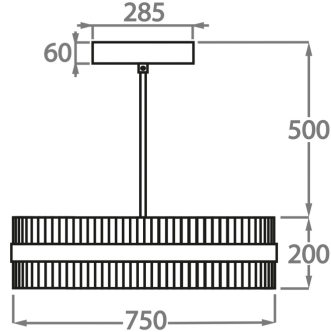
Size One

CL121-LED-60,
Height: 20 cm (7.87")
Diameter: 60 cm (23.62")
Bulbs: LED x LED LED strip
Net Weight: 22 kg / 49 lb



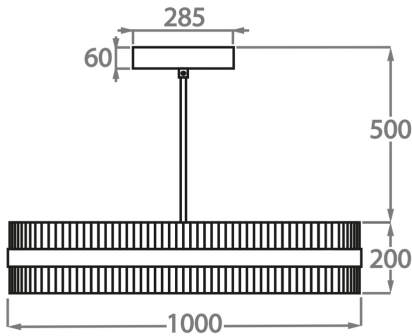
Size Two

CL121-LED-75,
Height: 20 cm (7.87")
Diameter: 75 cm (29.53")
Bulbs: LED x LED LED strip
Net Weight: 25 kg / 55 lb



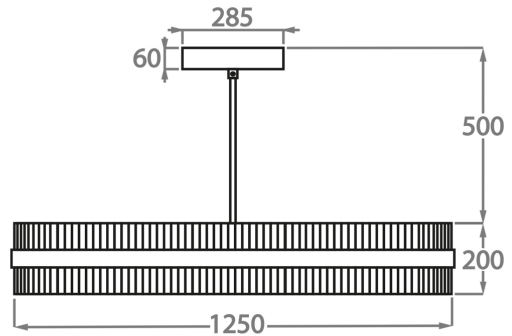
Size Three

CL121-100,
Height: 20 cm (7.87")
Diameter: 100 cm (39.37")
Bulbs: E27 x 40W E26
Net Weight: 20 kg / 44 lb



Size Four

CL121-120,
Height: 20 cm (7.87")
Diameter: 120 cm (47.24")
Bulbs: 8 x 40W E27
Net Weight: 25 kg / 55 lb



The dimensions of the central supporting rod and ceiling rose are not included in the height measurements.
The standard rod and ceiling rose is 50cm (20") high if not otherwise specified by the customer.