

BELLA FIGURA

Hyde Park Chandelier

CL100-5

Collection Name

MAYFAIR COLLECTION

The striking and unique drum shades of the Hyde Park chandelier are available in over 300+ silk colours, making this piece adaptable to any design. This ceiling light encapsulates the contemporary and elegant themes that are prominent throughout the Mayfair collection

Test Certification

UL (Underwriters Laboratories) test certificates available for the USA - will incur a surcharge
IEC (International Electrotechnical Commission) test certificates available - will incur a surcharge
Suitable for Yachts - Rod and bolting available for use on yachts

Compatible with



Yacht Club



CL100-5 in Bronze with 16 Inch Shades in COM Fabric 'Idrios Patina' from Romo and 1806W Timber Wolf

Available Finishes

Metal Finishes



Brushed Gold



Brushed Nickel



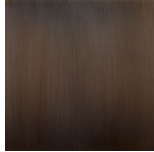
Polished Gold



Polished
Nickel



Antique
Brushed Brass



Bronze

Available Sizes

3 Light

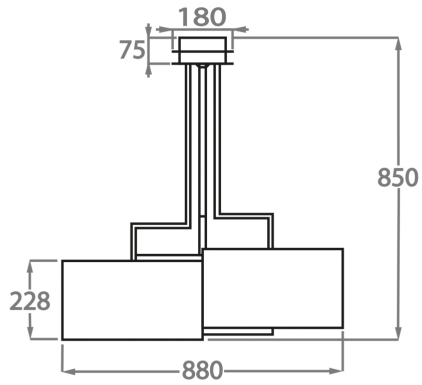
CL100-3,

Height: 85 cm (33.46")

Diameter: 88 cm (34.65")

Bulbs: 3 x 40W E27

Net Weight: 6 kg / 14 lb



5 Light

CL100-5,

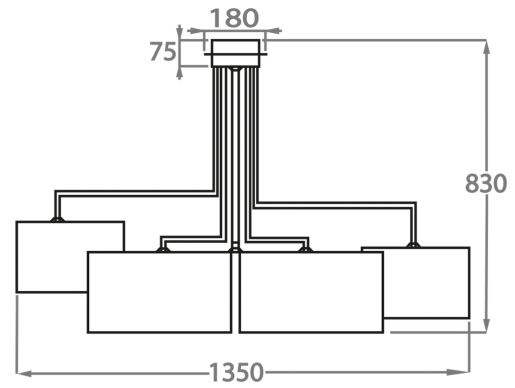
Height: 83 cm (32.68")

Width: 135 cm (53.15")

Length: 135 cm (53.15")

Bulbs: 5 x 40W E27

Net Weight: 8 kg / 18 lb



The height detailed is our standard height for this design. Please specify if you require a specific height.

Shades can also be made with Customer Own Material (COM)