

BELLA FIGURA

Bijou Lamp

TL661-LAE

Collection Name

CONTOUR COLLECTION

An uncomplicated jewel of utmost sophistication, which will place itself effortlessly within a vast array of settings. The Bijou lamp is a fusion of English blown glass and Italian gilding to create this versatile and feminine gem of distinction, now available in a statuesque larger size

Compatible with



Express



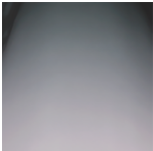
Yacht Club



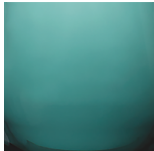
TL661 in Amber and Brushed Gold with 12" Tall Drum Shade in Silk Crepe Satin
1806W/ 70 Ochre

Available Finishes

Glass colours



Wolf Grey



Teal



Heliotrope



Steel Blue



Amber

Metal Finishes



Gold Leaf



Silver Leaf



Brushed Gold

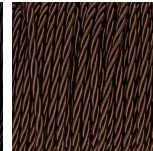


Brushed Nickel

Silk Flex Choice, Switch & Plug Colours



Black



Brown



Cream

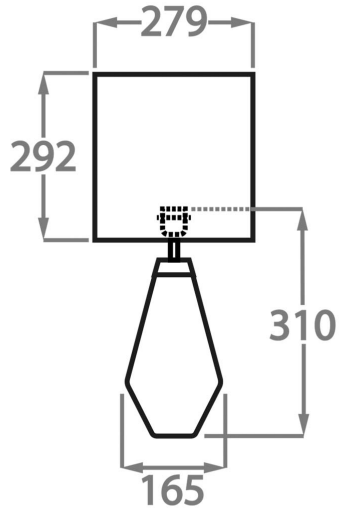


Silver

Available Sizes

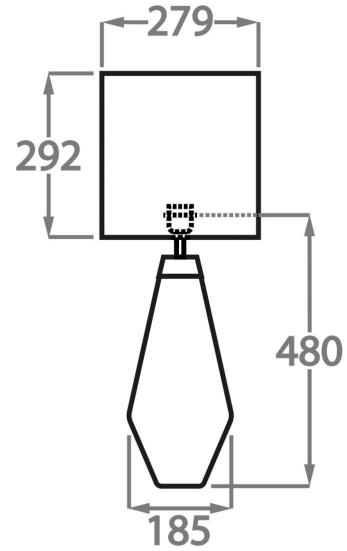
Size One

TL661-SM,
Height: 31 cm (12.2")
Diameter: 16.5 cm (6.5")
Bulbs: 1 x 60w



Size Two

TL661-LA,
Height: 48 cm (18.9")
Diameter: 18.5 cm (7.28")
Bulbs: 1 x 40W E26



TL661-SM: Overall height with a 10" Tall Drum Shade 63cm - 24.8inch
TL661-LA: Overall height with a 12" Tall Drum Shade 75cm - 30inch