

# BELLA FIGURA

## Bijou Lamp

TL661-LAE

Collection Name

**CONTOUR COLLECTION**

An uncomplicated jewel of utmost sophistication, which will place itself effortlessly within a vast array of settings. The Bijou lamp is a fusion of English blown glass and Italian gilding to create this versatile and feminine gem of distinction, now available in a statuesque larger size

### Compatible with



Express



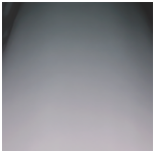
Yacht Club



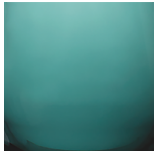
TL661 in Steel Blue and Brushed Nickel with 12" Tall Drum Shade in Silk Linen 3998/Natural N

### Available Finishes

#### Glass colours



Wolf Grey



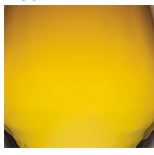
Teal



Heliotrope



Steel Blue



Amber

#### Metal Finishes



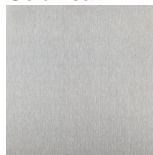
Gold Leaf



Silver Leaf

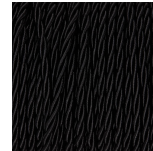


Brushed Gold

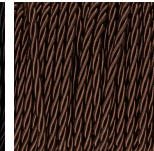


Brushed Nickel

#### Silk Flex Choice, Switch & Plug Colours



Black



Brown



Cream



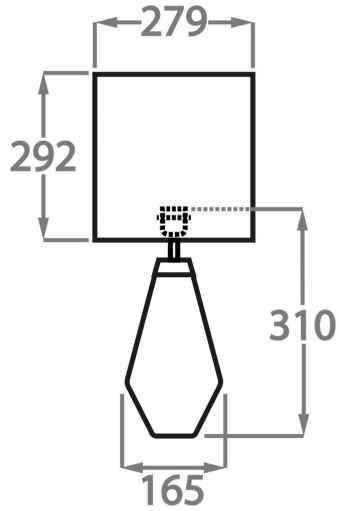
Silver

Available Sizes

---

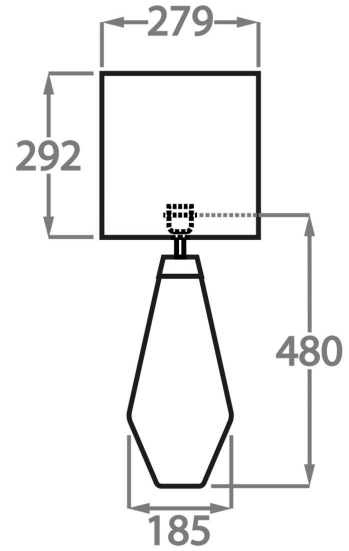
**Size One**

TL661-SM,  
Height: 31 cm (12.2")  
Diameter: 16.5 cm (6.5")  
Bulbs: 1 x 40W E27



**Size Two**

TL661-LA,  
Height: 48 cm (18.9")  
Diameter: 18.5 cm (7.28")  
Bulbs: 1 x 40W E27



TL661-SM: Overall height with a 10" Tall Drum Shade 63cm - 24.8inch  
TL661-LA: Overall height with a 12" Tall Drum Shade 75cm - 30"