

# BELLA FIGURA

## Battersea Chandelier

### CL109

Collection Name

**MAYFAIR COLLECTION**

This edgy new Battersea chandelier inspired by brutalist designs from the 1970s, is available in our new distressed finishes. This design is made out of a series of random brass tubes and Lucite rods, which results in a unique piece of modern ceiling sculpture with a subtle lighting effect.

The chandelier is finished off with a frosted Lucite bottom diffuser and a central finial

### Test Certification

UL (Underwriters Laboratories) test certificates available for the USA - will incur a surcharge  
Suitable for Yachts - Rod and bolting available for use on yachts

IEC (International Electrotechnical Commission) test certificates available - will incur a surcharge

### Compatible with



Bathroom



Yacht Club



CL109-100 in Frosted Lucite Rods and Distressed Bronze Rods

### Available Finishes

#### Lucite Colours



Clear Lucite Rods

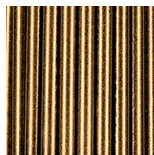


Frosted Lucite Rods

#### Metal Finishes



Stippled Bronze

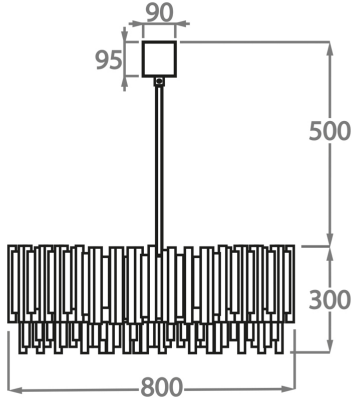


Stippled Gold

**Available Sizes**

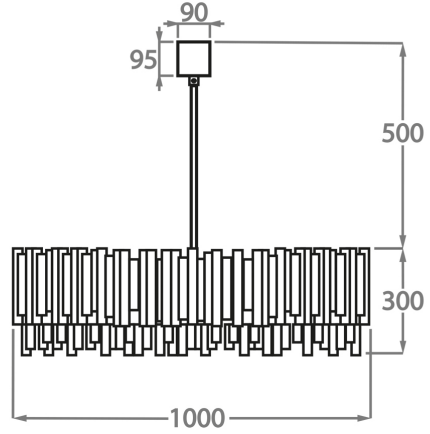
**Size One**

CL109-80,  
Height: 30 cm (11.81")  
Diameter: 80 cm (31.5")  
Bulbs: 8 x 40W E27  
Net Weight: 24 kg / 57 lb



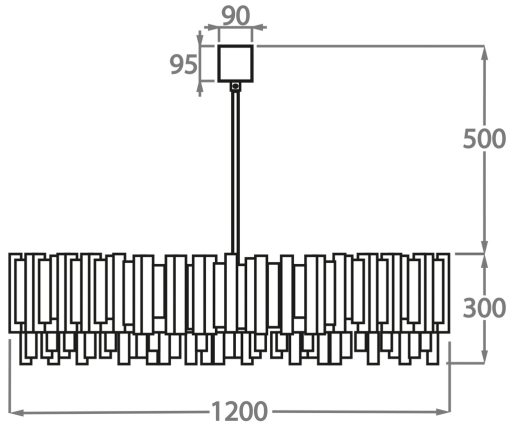
**Size Two**

CL109-100,  
Height: 30 cm (11.81")  
Diameter: 100 cm (39.37")  
Bulbs: 8 x 40W E27  
Net Weight: 31 kg / 68 lb



**Size Three**

CL109-120,  
Height: 30 cm (11.81")  
Diameter: 120 cm (47.24")  
Bulbs: 8 x 40W E27  
Net Weight: 40 kg / 88 lb



The dimensions of the central supporting rod and ceiling rose are not included in the height measurements.  
The standard rod and ceiling rose is 50cm (20") high if not otherwise specified by the customer.