

# BELLA FIGURA

## Aviary Ceiling Light

### CL51-75

Collection Name

**CANTERBURY COLLECTION**

This original "Caged" ceiling light is our re-interpretation of a traditional Victorian bird aviary. Suspended on a metal rod, the frame charmingly encaptures a silk lampshade of your choice, which incorporates a lucite bottom diffuser. It is not only available in four hand painted finishes, but we also offer a choice of two metal textures - smooth or hammered. The drum shade is included and can be ordered in any of our 300+ silks and satins, whilst the central rod can be specified in any length. This versatile chandelier can also be ordered in custom sizes

### Test Certification

UL (Underwriters Laboratories) test certificates

available for the USA - will incur a surcharge

IEC (International Electrotechnical Commission) test

certificates available - will incur a surcharge

### Compatible with



Yacht Club



CL51-75 in Hammered Lead and Crepe Satin Shade in 1806W/ 1012 Dust

### Available Finishes

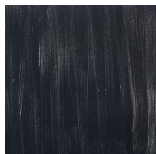
#### Metal Finishes



Antique Gold



Antique Silver



Lead



Decorated  
Bronze

#### Metal Texture

Hammered

Smooth

**Available Sizes**

---

**One Size**

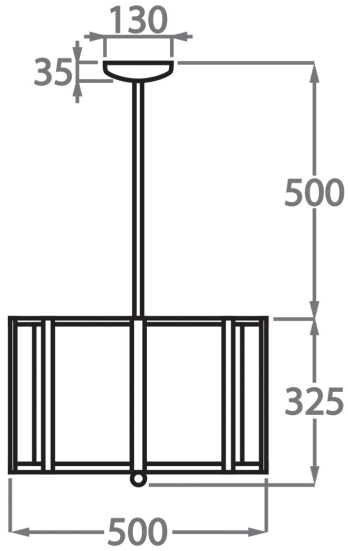
CL51-50,

Height: 32.5 cm (12.8")

Diameter: 50 cm (19.69")

Bulbs: 4 x 40W E27

Net Weight: 6 kg / 13 lb



**Size Two**

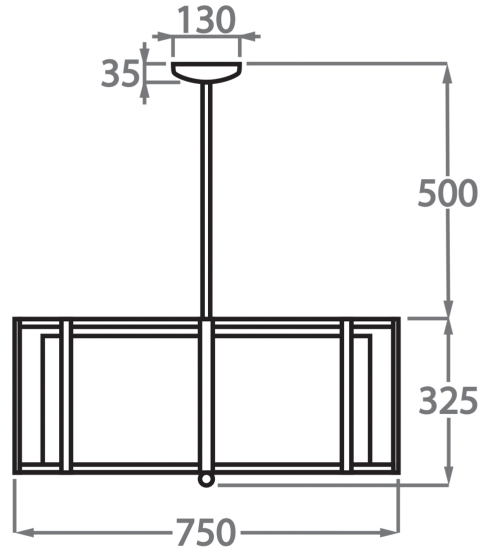
CL51-75,

Height: 32.5 cm (12.8")

Diameter: 75 cm (29.53")

Bulbs: 6 x 40W E27

Net Weight: 6 kg / 13 lb



Overall height with a minimum 20cm of central rod and ceiling rose 52cm - 20.5". The central rod can be ordered as standard in any overall height of up to 100cm - 39". If a greater overall height is required, please contact us.