

BELLA FIGURA

Aviary Ceiling Light

CL51-75

Collection Name

CANTERBURY COLLECTION

This original "Caged" ceiling light is our re-interpretation of a traditional Victorian bird aviary. Suspended on a metal rod, the frame charmingly encaptures a silk lampshade of your choice, which incorporates a lucite bottom diffuser. It is not only available in four hand painted finishes, but we also offer a choice of two metal textures - smooth or hammered. The drum shade is included and can be ordered in any of our 300+ silks and satins, whilst the central rod can be specified in any length. This versatile chandelier can also be ordered in custom sizes

Test Certification

UL (Underwriters Laboratories) test certificates available for the USA - will incur a surcharge
IEC (International Electrotechnical Commission) test certificates available - will incur a surcharge

Compatible with



Yacht Club



CL51-75 in Hammered Lead and Crepe Satin Shade in 1806W/ 1012 Dust

Available Finishes

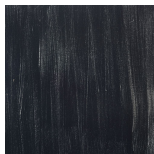
Metal Finishes



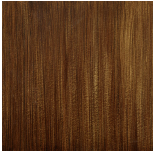
Antique Gold



Antique Silver



Lead



Decorated
Bronze

Metal Texture

Hammered Smooth

Available Sizes

One Size

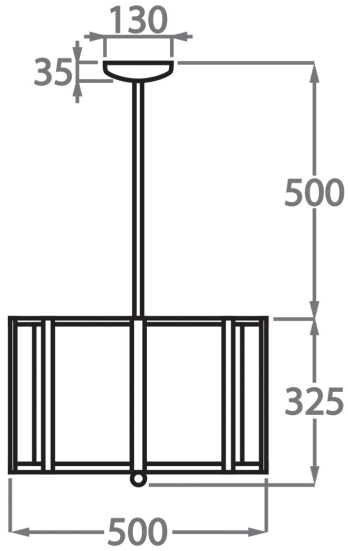
CL51-50,

Height: 32.5 cm (12.8")

Diameter: 50 cm (19.69")

Bulbs: 4 x 40W E27

Net Weight: 6 kg / 13 lb



Size Two

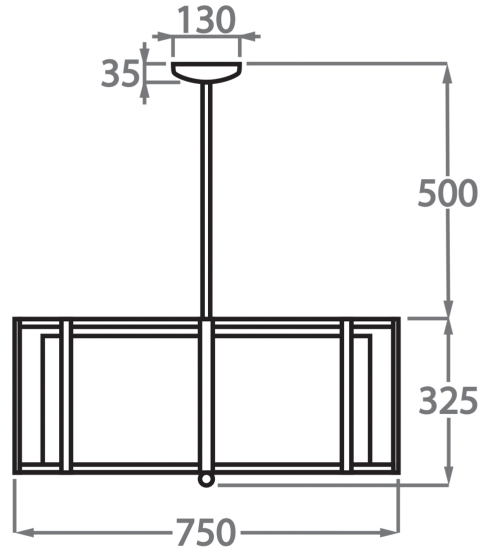
CL51-75,

Height: 32.5 cm (12.8")

Diameter: 75 cm (29.53")

Bulbs: 6 x 40W E27

Net Weight: 6 kg / 13 lb



Overall height with a minimum 20cm of central rod and ceiling rose 52cm - 20.5". The central rod can be ordered as standard in any overall height of up to 100cm - 39". If a greater overall height is required, please contact us.